

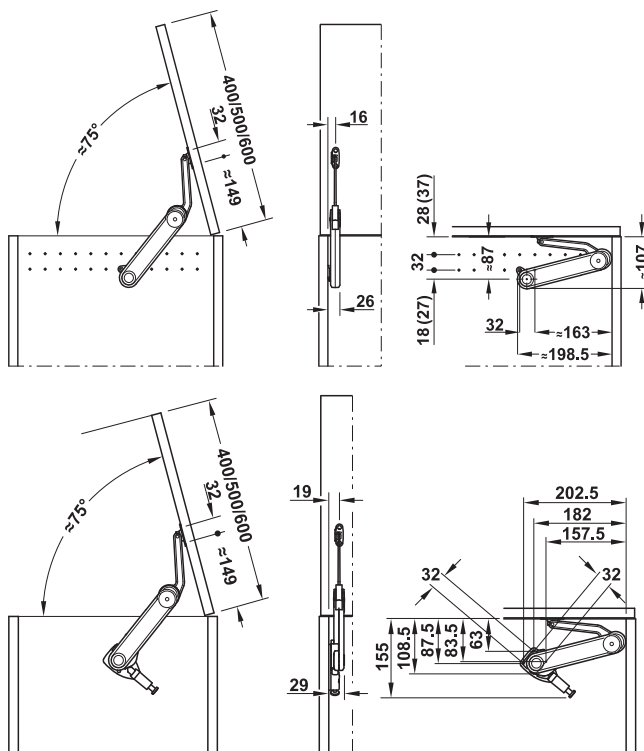
Maxi up

For lids made of wood or with aluminium frame



- Opening angle: approx. 75°
- Material: Stay: Zinc alloy, mounting brackets and screw-on brackets: Steel, safety cap for adjusting screw: Plastic
- Finish: Nickel plated, safety cap: Grey
- Installation: Without tools (Clip system) onto pre-mounted mounting bracket
- Adjustment facility: Side/height/depth of lid (depending on used hinge), holding power (via fitting)

Installation



Sample measurements table for max. lid weight

Lid depth mm	Lid weight kg		
	Model F	Model G	Model H
1 lid fitting			
400	1.6–3.1	3.0–5.3	5.2–9.4
500	1.3–2.6	2.5–4.2	4.3–7.5
600	1.1–2.5	2.3–4.2	4.0–6.7
2 lid fittings			
400	3.2–6.2	6.6–10.6	10.4–18.8
500	2.6–5.2	5.0–8.4	8.6–15.0
600	2.2–5.0	4.6–8.4	8.0–13.4

Model	Colour	Cat. No.
F	Adjusting screw: Blue	373.85.700
G	Adjusting screw: Brown	373.85.701
H	Adjusting screw: Black	373.85.702

Packing: 1 piece

→ Mounting bracket for cabinet



- Area of application: For mounting the lid stay to the cabinet
- Material: Steel
- Finish: Nickel plated

	Cat. No.
For edge distance (cabinet) 37 mm	373.69.906
For edge distance (cabinet) 28 mm	373.69.907

Packing: 1 piece

→ Soft closing mechanism



Note
The mounting bracket for the cabinet is not required when using the soft closing mechanism.

- Area of application: For edge distances 28 and 37 mm
- Material: Zinc alloy
- Adjustable dampening distance

Material	Nickel plated
Zinc alloy	373.69.799

Packing: 1 or 10 pieces

→ Screw-on bracket for lid



373.66.036



373.69.905

- Area of application: For mounting the lid stay to the lid
- Material: Steel
- Finish: Nickel plated

Installation	Cat. No.
For lids made of wood or with aluminium frame, from frame width 45 mm	
For Euro screws	373.66.036
For chipboard screws	373.66.681
With slide-on clip, for Euro screws	373.69.908
With slide-on clip, for chipboard screws	373.69.912
For lids with aluminium frame 20 mm	
With slide-on clip	373.69.909
Without slide-on clip	373.69.905

Packing: 1 or 20 pieces

DGH-M-INT 2013, HDE-en, 01/13; Dimensional data not binding. We reserve the right to alter specifications without notice.



4

Lid Stays

